

Bimetal Thermometer Type 21

Process Industry Series



Temperature Element:	Coiled Bimetal
Accuracy:	Class 1 per DIN 16203
Case material:	Stainless steel
Pointer:	Black aluminium
Window:	Instrument glass 4mm
Location of stem:	Centre back and radial
Stem material:	Stainless steel
Connection:	Thermowell G ½, stainless steel or solid connection
Pressure rating of thermowell:	6 bar maximum
Optional extras:	Thread other than G ½, Other connections,

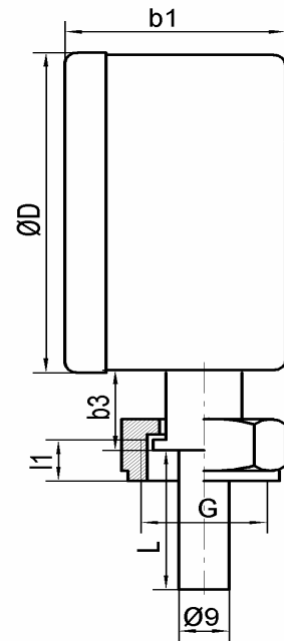
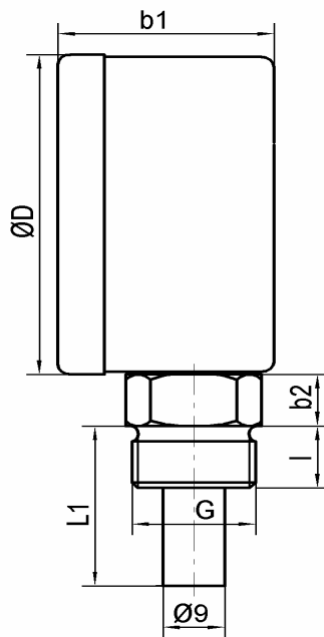
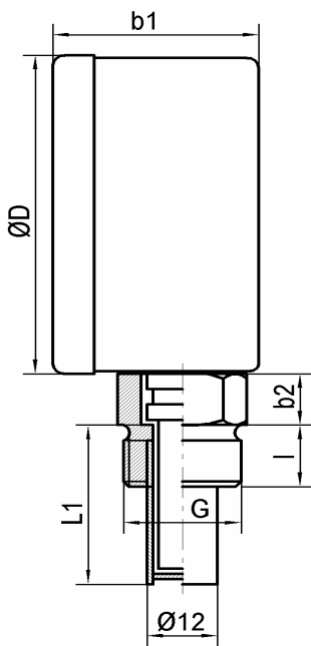
Thermometer Type	Case (mm)	Code	Location of stem	Code	Scale range °C	Code	Stem (mm)	Code	Connection	Code
21	63	3	horizontal	1	0 bis 100	100	45	45	Thermowell	
	100	7	vertikal	6	0 bis 160	160	50	50	G 1/2	24
	160	8			0 bis 200	200	60	60	G 3/4	25
					0 bis 250	250	63	63	Solid connection	
					0 bis 300	300	100	100	G 1/2	44
					0 bis 400	400			G 3/4	45
					0 bis 500	500			Union nut	
									G 1/2	64
									G 3/4	65

Dimension:

With thermowell

With solid connection

With union nut



Ø D (mm)	G (Zoll)	l (mm)	l1 (mm)	b1 (mm)	b2 (mm)	b3 (mm)	SW (mm)	SW (Union nut)
63	G 1/2	14	10	44	10	18	21	24
	G 3/4	16	12	44	12	18	24	32
100	G 1/2	14	10	49	10	18	21	24
	G 3/4	16	12	49	12	18	24	32
160	G 1/2	14	10	50	10	18	21	24
	G 3/4	16	12	50	12	18	24	32