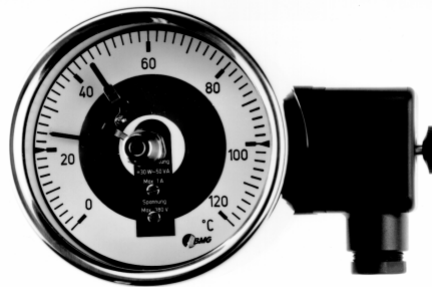


Bimetal Thermometer Type 16

With alarm contacts – Industrial Series

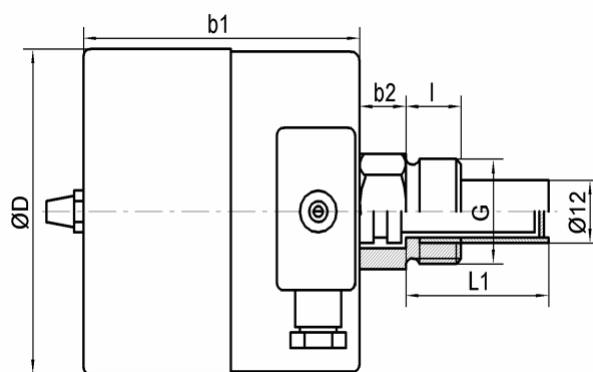
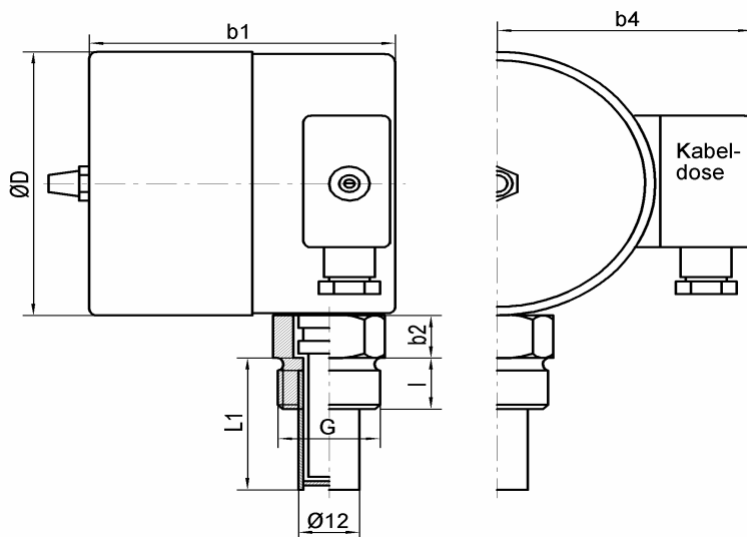


Temperature Element: Coiled Bimetal; **Accuracy:** Class 1 per DIN 16203
Case material: Steel, black painted
Pointer: Black aluminium; **Window:** Instrument glass
Location of stem: Centre back and radial; **Stem material:** Cu-alloy
Connection: Thermowell G ½ , Cu-alloy
Optional extras: Thread other than G ½, other connections, thermowell stainless steel 1.4571

Thermometer Type	Case (mm)	Code	Location of stem	Code	Scale range °C	Code	Stemm (mm)	Code	Connection	Code
16	100	7	horizontal	1	0 bis 100	100	45	045	Thermowell	
	160	8	vertical	6	0 bis 160	160	50	050	G 1/2	24
					0 bis 200	200	60	060	G 3/4	25
					0 bis 250	250	63	063	Solid connection	
					0 bis 300	300	100	100	G 1/2	44
					0 bis 400	400			G 3/4	45
					0 bis 500	500			Union nut	
									G 1/2	64
									G 3/4	65

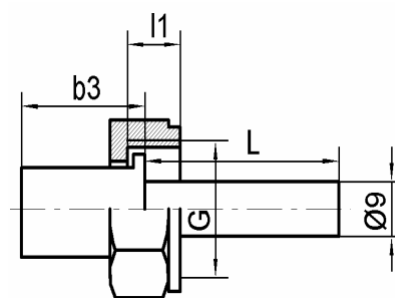
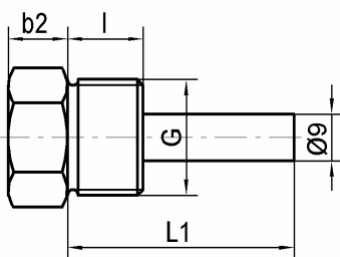
Contact functions index	Sliding c.	Magnetic c.	Induktiv c.
Contact makes when pointer reaches set point	81.1	82.1	83.1
Contact breaks when pointer reaches set point	81.2	82.2	83.2
1st and 2nd contact makes when pointer reaches set point	81.11	82.11	83.11
1st and 2nd contact breaks when pointer reaches set point	81.22	82.22	83.22
1st contact makes, 2nd contact breaks when pointer reaches set point	81.12	82.12	83.12
1st contact breaks, 2nd contact makes when pointer reaches set point	81.21	82.21	83.21

Dimensions:



Solid connection

Union nut



Ø D	G	l	l1	b1	b2	b3	b4	SW
(mm)	(Zoll)	(mm)	(mm)	(mm)	(mm)	(mm)	(mm)	(Union nut)
100	G 1/2	14	10	90	10	18	140	24
	G 3/4	16	12	90	12	18	140	32
160	G 1/2	14	10	90	10	18	200	24
	G 3/4	16	12	90	12	18	200	32