

Bimetal Thermometer Type 05

Air-conditioning and heating

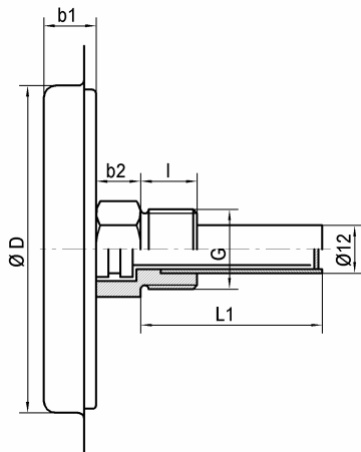


Temperature Element: Coiled Bimetal
Accuracy: Class 2 per DIN 16203
Case material: Steel
Pointer: Black aluminium
Window: Instrument glass
Location of stem: Centre back
Connection: Front-seal
Optional extras: other stemlengths

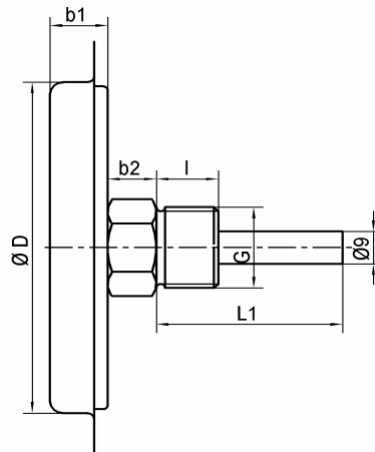
Thermometer	Case		Location		Scale range		Stem			
Type	(mm)	Code	Of stem	Code	°C	Code	(mm)	Code	Connection	Code
5	63	3	horizontal	1	0 bis 100	100	45	045	Front seal	X1
	80	6			0 bis 160	160	50	050		
	100	7			0 bis 200	200	60	060		
					0 bis 250	250	63	063		
					0 bis 300	300	100	100		
					0 bis 400	400				
					0 bis 500	500				

Dimensions:

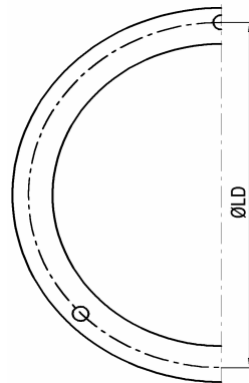
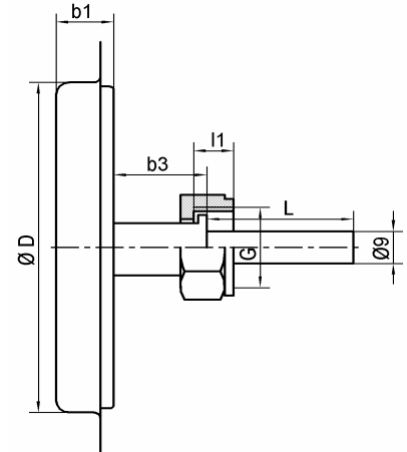
with thermowell



with solid connection



with union nut



Ø D (mm)	G (Zoll)	l (mm)	l1 (mm)	b1 (mm)	b2 (mm)	b3 (mm)	SW (mm)	ØLK (mm)
63	G 1/2	14	10	14	10	18	21	74
	G 3/4	16	12	14	12	18	24	74
80	G 1/2	14	10	14	10	18	21	91
	G 3/4	16	12	14	12	18	24	91
100	G 1/2	14	10	16	10	18	21	110
	G 3/4	16	12	16	12	18	24	110