

# Bimetal Thermometer Type 02

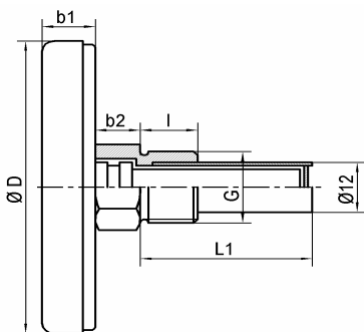


<b>Temperature Element:</b>	Coiled Bimetal
<b>Accuracy:</b>	Class 1 per DIN 16203
<b>Case material:</b>	Steel
<b>Pointer:</b>	Black aluminium
<b>Window:</b>	Instrument glass
<b>Location of stem:</b>	Centre back
<b>Stem material:</b>	Cu-alloy
<b>Connection:</b>	Thermowell G ½ , Cu-alloy
<b>Pressure rating of thermowell:</b>	6 bar maximum
<b>Optional extras:</b>	Thread other than G ½, Other connections, Thermowell stainless steel 1.4571

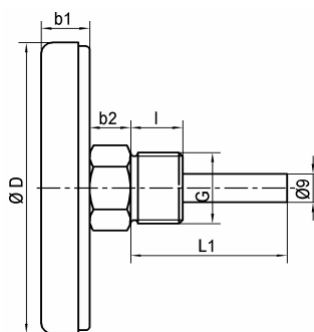
Thermometer Type	Case (mm)	Code	Location stem	Code	Scale range °C	Code	Stem (mm)	Code	Connection	Code
2	63	3	horizontal	1	0 bis 100	100	45	045	Thermowell	
	80	6			0 bis 160	160	50	050	G 1/2	24
	100	7			0 bis 200	200	60	060	G 3/4	25
	160	8			0 bis 250	250	63	063	Solid connection	
					0 bis 300	300	100	100	G 1/2	44
					0 bis 400	400			G 3/4	45
					0 bis 500	500			Union nut	
									G 1/2	64
									G 3/4	65

# Dimensions: Standard version

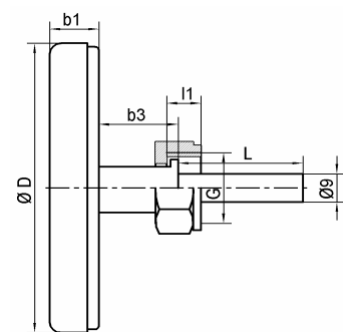
with thermowell



with solid connection



with union nut



Ø D (mm)	G (Zoll)	l (mm)	l1 (mm)	b1 (mm)	b2 (mm)	b3 (mm)	SW (mm)	SW (union nut)
34	G 1/2	14	10	8	10	18	21	24
	G 3/4	-	-	8	-	-	-	-
50	G 1/2	14	10	8	10	18	21	24
	G 3/4	16	12	8	12	18	24	32
63	G 1/2	14	10	10	10	18	21	24
	G 3/4	16	12	10	12	18	24	32
80	G 1/2	14	10	11	10	18	21	24
	G 3/4	16	12	11	12	18	24	32
100	G 1/2	14	10	11	10	18	21	24
	G 3/4	16	12	11	12	18	24	32
160	G 1/2	14	10	12	10	18	21	24
	G 3/4	16	12	12	12	18	24	32