

Bimetal Thermometer Type 01

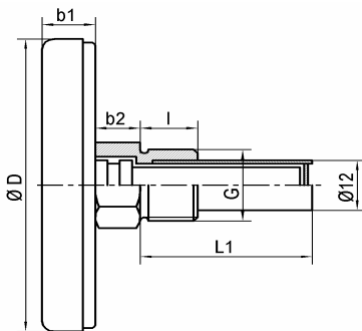


Temperature Element:	Coiled Bimetal
Accuracy:	Class 1 per DIN 16203
Case material:	Steel
Pointer:	Black aluminium
Window:	Instrument glass
Location of stem:	Centre back
Stem material:	Cu-alloy
Connection:	Thermowell G ½ , Cu-alloy
Pressure rating of thermowell:	6 bar maximum

Thermometer Type	Case (mm)	Code	Location stem	Code	Scale range °C	Code	Stem (mm)	Code	Connection	Code
01	63	3	horizontal	1	0 bis 120	120	45	045	Thermowell putable G 1/2	14
	80	6					50	050		
	100	7					60	060	with lateral screw G 1/2	24
							63	063		
							100	100		

Maße:

with thermowell



Ø D (mm)	G (Zoll)	l (mm)	l1 (mm)	b1 (mm)	b2 (mm)	b3 (mm)	SW (mm)
63	G 1/2	14	10	10	10	18	21
80	G 1/2	14	10	11	10	18	21
100	G 1/2	14	10	11	10	18	21