

## All stainless steel pressure gauges with capsule element

Nominal sizes ND 63, 100, 160

Connection position bottom, radial  
or back, eccentric

Type: 5221, 5224, 5231, 5234, 5235



### Description

The pressure gauges with capsule type element are used to measure small negative or positive gauge Pressures in gaseous media. The capsule element consists of two diaphragm element halves soldered Together. When subjected to pressure from within, the diaphragm element expands by a precise amount. This expansion is converted by a movement into the rotary motion of the pointer.

All stainless steel pressures gauges for the chemical industry with capsule type element are manufactured using high quality stainless steel and are therefore suitable for use with aggressive or corrosive gases. The gauges can be supplied with a rear mounting bracket, cover ring, triangular front ring or front mounting Flange as required for the installation conditions.

## Features

- o Use in millibar range
- o Corrosion resistant
- o Zero adjustment
- o Application up to end of scale value

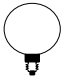
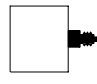

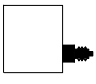

## Measuring ranges

0 ... 2.5 mbar to 0 ... 600 mbar

## Applications

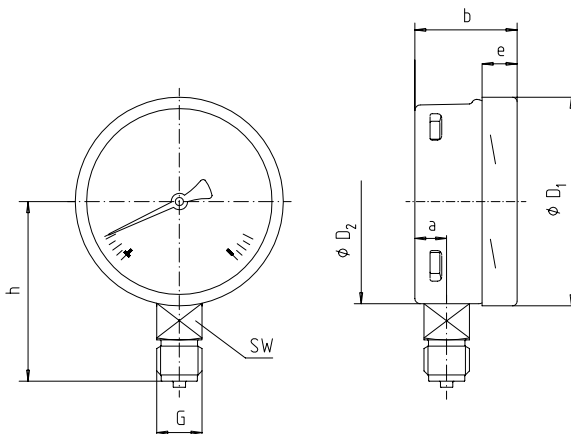
Pharmaceutical industry, laboratory applications  
Air-conditioning, leakage tests,  
Filter and status monitoring,  
Exhaust gas measurement, gas generation,  
Container contents measurement

## Technical data

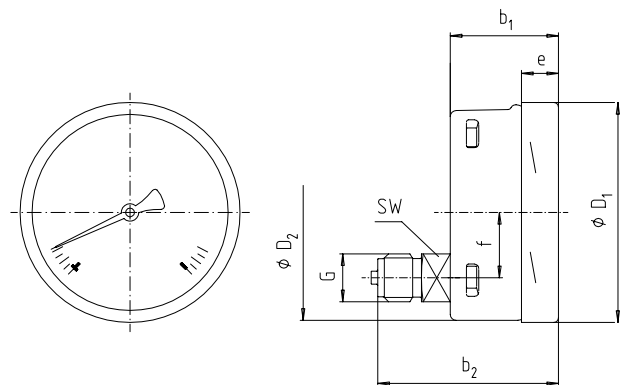
Type	5221	5224	5231	5234	5235	Options
Nominal size	63		100		160	
Symbol						
Accuracy class	1.6 to EN 837-3					1.0
Ranges	0...40 mbar to 0...600 mbar negative or positive / negative and positive gauges pressure		0...25 mbar		0...2.5 mbar	
Application	Constant load: Alternating load: Short time:		up to full scale value up to 0.9 x full scale value overload capacity 1.3 x			
Case	Stainless steel, 1.4301					Rear mounting flange
Bezel	Stainless steel, 1.4301 Bayonet ring					Rear mounting flange, Triangular bezel and bracket
Window	Laminated safety glass					
Dial	Aluminium, white, scale and imprint black					Dual scale
Pointer	Aluminium, black					
Movement	Stainless steel					
Measuring element	Stainless steel, 1.4571					
Pressure connection - position	radial bottom	rear central	radial bottom	rear eccentric	radial bottom	Other threads on request
- thread	G 1/4 B; 1/4 NPT		G 1/2 B to DIN ISO 228			
Sealing ring	FPM (Seals made of Viton <sup>®</sup> ) <sup>1)</sup>					
Temperatures - Medium - Ambient	Tmin. -20°C, Tmax. 80°C Tmin. -25°C, Tmax. 60°C					
Temperature drift	0,3 %/10K if deviation from normal temperature 20°C					
Protection EN 60 529 / IEC 529	IP 54		IP 54			
Orifice						ø 0.4 ; ø 0.8
Weight approx.	0.200 kg		0.600 kg		1.100 kg	

<sup>1)</sup> Viton<sup>®</sup> fluorelastomer, a product of DuPont Dow Elastomers

## Dimensions



Type: 5221, 5231, 5235



Type: 5224 central, 5234 eccentric

Type	Dimensions in mm											
	NG	a ±0,5	b ±0,5	b1 ±0,5	b2 ±1	e ±0,5	f ±0,5	D1 ±1	D2 ±1	G	h ±1	SW
5221	63	9,5	42	--	--	22	--	64	62	G 1/4 B	52	14
5224	63	--	--	42	63	22	-- 1)	64	62	G 1/4 B	--	14
5231	100	15,5	49,5	--	--	17,5	--	101	99	G 1/2 B	87	22
5234	100	--	--	49,5	83	17,5	30	101	99	G 1/2 B	--	22
5235	160	15,5	49,5	--	--	17,5	--	161	159	G 1/2 B	118	22

<sup>1)</sup> connection rear central

Modification reserved