

Heavy Duty pressure gauges with Bourdon tube

Nominal sizes ND 100

Connection position bottom, radial
or back, eccentric

Type: 5190, 5193

Licence:



Germanischer Lloyd



Description

Pressure gauges of the comprehensive Heavy Duty range are manufactured on the basis of the modular construction system which brings advantages of quality and price. The gauges can be used in all applications where particular importance is attached to measuring accuracy, reproducibility and long-term stability.

They can be used with liquid or gaseous media which are not highly viscous and which do not attack copper alloys or crystallize.

A wide range of options enables the user to adapt the gauges to his own special requirement.

All Heavy Duty pressure gauges comply with general international recommendations for measuring systems and take requirements for specific applications and technical standards into consideration.

Panel mounting is facilitated by the central connecting pin at the back and a corresponding mounting bracket.

Special features

- Reliability and long-term stability due to modular construction system
- Accuracy class 1.0
- Copper alloy measuring system
- Overload capacity 1.3 x

Measuring ranges

0 ... 0.6 bar to 0 ... 1000 bar

Applications

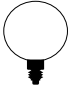

Mechanical engineering and apparatus construction,

conveying systems,

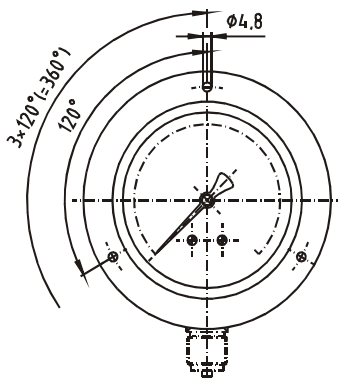
power supply,

laboratory and test engineering

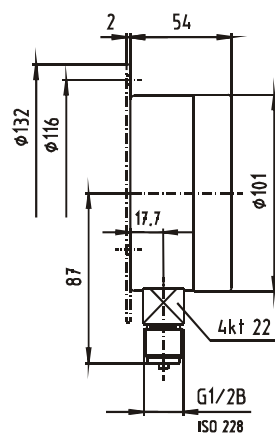
Technical Data

Type	5190	5193	Options
Nominal size	100		
Symbol			
Accuracy class	1.0 to EN 837-1		
Ranges	0...0.6 bar to 0...1600 bar Negative or positive or negative and positive gauge pressure		
Application	Constant load: up to full scale value Alternating load: up to 0.9 x full scale value Short-time: overload capacity 1.3 x		1.5 to 2 x
Case	Stainless steel, 1.4301		Stainless steel, polished
Bezel	Stainless steel, 1.4301, bayonet ring		Stainless steel, polished
Mounting	without		Front flange, Stainless steel 1.4301 polished; Rear flange stainless steel 1.4301, blank Triangular bezel, Stainless steel polished with U-clamp Steel zinc plated
Window	Glass lens		Safety glass or plexiglass
Dial	Aluminium white, scale and imprint black		Dual scale
Pointer	Aluminium, black		max. indicating pointer, marker pointer
Movement CuZ	n-alloy		Manocont
Measuring element	Copper alloy, up to 40 bar, above 40 bar stainless steel 316 L		
Pressure connection	CuZn-alloy up to 1000 bar		
- position	radial	eccentric	
bottom		rear	
- thread	G 1/2 B		Other threads on request
Temperatures			
- Medium	Tmin. -20°C, Tmax. 80°C		
- Ambient	Tmin. -25°C, Tmax. 60°C		
Temperature drift	0.3 %/10K if deviation from normal temperature 20°C		
Protection	IP 54 to EN 60 529 / IEC 529		
Orifice	without		ø 0,3; ø 0,4; ø 0,8
Weight approx.	0,6 kg	0,6 kg	

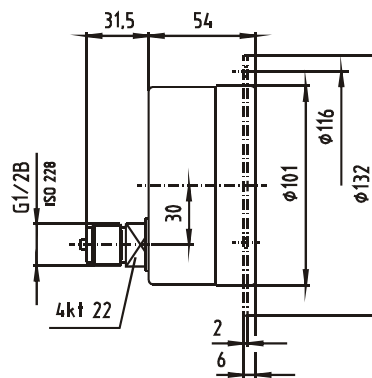
Dimensions



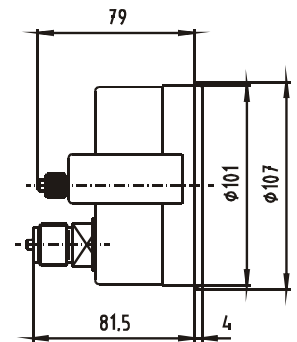
Type: 5190, 5193
Hole diagram for front flange



Type: 5190
with rear flange



Type: 5193
with front flange



Type: 5193
with triangular bezel
and mounting bracket

Modifications reserved